

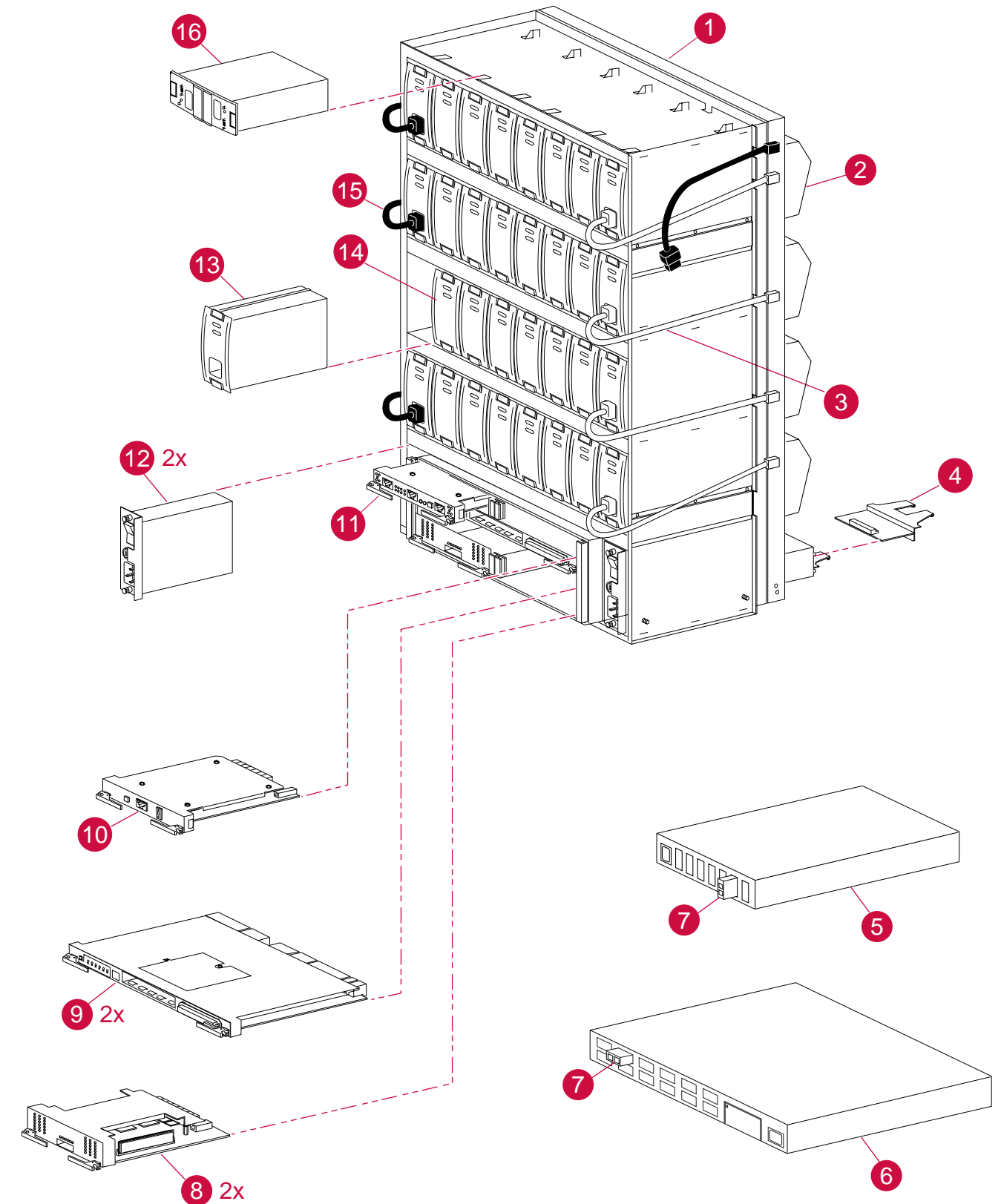
COMPAQ
STORAGWORKS

HSG80 ARRAY CONTROLLER
ILLUSTRATED PARTS MAP



Subsystem Components - Spares List		
Item	Description	Spare Part Number
HSG80 Subsystem		
1	370 rack-mountable enclosure	401914-001 DS-BA370-MA
2	Cooling fan, blue	400293-001 FC-BA35X-MK
	Cooling fan, gray	402602-001 FC-BA35X-ML
3	Powercable kit, white	401915-001 17-03718-09
4	I/O module, blue	400294-001 FC-BA35X-MN
	I/O module, gray	401911-001 70-32856-S2
5	Hub, 7 port	234454-001 FE-09061-01
6	Hub, 12 port	340858-001 30-50549-01
7	GBIC	234458-001 FE-09086-01
8	Cache module	400295-001 70-33256-S1
9	HSG80 controller	400285-001 70-33259-S1
10	PVA module	400299-001 FC-BA35X-EC
11	EMU	400286-001 FC-BA35X-EB
12	AC input module	400287-001 FC-BA35X-HE
13	180-watt power supply	400288-001 FC-BA35X-HH
14	Disk drive, 4 GB, 7200	402153-001 FC-RZ1CF-VW
	Disk drive, 9 GB, 7200	400289-001 FC-RZ1DF-VW
	Disk drive, 18 GB, 7200	400290-001 FC-RZ1EF-VW
	Disk drive, 9 GB, 10K	402154-001 FC-RZ1DD-VW
	Disk drive, 18 GB, 10K	402229-001 FC-RZ1ED-VW
15	Power cable, black	401915-001 17-03718-09
16	ECB, dual (shown)	401915-001 FC-HS35X-BD
	ECB, single (not shown)	400292-061 FC-HS35X-BC

Subsystem Components



© 1998 Compaq Computer Corporation.
All right reserved. Printed in U.S.A.

Compaq, the Compaq logo, HSG, StorageWorks
Registered in the United States Patent and Trademark Office

Compaq Part Number 355217-001
First Edition (November 1998)

Digital Part Number EK-HSG80-MP.A01
First Edition (November 1998)

355217-001

355217-001

Subsystem Components - Spares List

Item	Description	Spare Part Number
HSG80 Array Controller		
17	Gigabit Link Module (GLM)	402603-001 70-GLMS1-02
18	Program card	402604-001 BG-RFNUA-BA
19	Fiber channel optical cable, 2 meter	242796-001 17-04820-03
	Fiber channel optical cable, 5 meter	242796-002 17-04820-05
	Fiber channel optical cable, 15 meter	242796-003 17-04820-05
	Fiber channel optical cable, 30 meter	401937-001 17-04820-08
	Fiber channel optical cable, 50 meter	401938-001 17-04820-09
20	Maintenance port cable	402605 -001 70-32873-02
Cache Module		
21	DIMM, 32 MB	400296-001 70-DIMS1-01
	DIMM, 128 MB	400297-001 70-DIMS1-02
22	ECB Y cable for the BA370 Enclosure	400298-001 17-04479-03
	ECB Y cable for the Data Center Cabinet	401913-001 17-04479-04
Environmental Monitoring Unit (EMU)		
23	EMU communication cable, 4 meter	401949-001 17-03194-04

Subsystem Components

