

Overview

Introduction

The HP StorageWorks NAS 1000s is an entry-level NAS solution that delivers quick and simple "just-in-time" NAS storage with multi-protocol file support and storage management for workgroups, small businesses, and remote locations. The NAS 1000s offers TCO-reducing ease of installation and management, and it can be managed remotely. Plus, it comes with HP Global Services, providing cost-effective support to ensure continuous availability.

The HP StorageWorks NAS 1000s is the first entry-level NAS device to offer quick-restore functionality to customers via CD and a dual OS partition. Quick-restore functionality allows customers to be back up and running with a factory default image in minutes not hours.

- **HP StorageWorks NAS 1000s** models are available with three different raw storage capacity points:
 - 320 GB
 - 640 GB
 - 1 TB

What's New

- New software upgrade kit allowing existing 1000s customers to upgrade to the new Window Storage Server 2003 (WSS 2003) operating system

NAS 1000s Product Features

- 7200 rpm ATA Hot Swappable hard drives
- 1U form factor
- Dual auto sensing Gigabit NICs
- Quick Restore functionality
 - Allow customers to quick restore their NAS 1000s units back to factory defaults by using an externally connected USB DVD-ROM drive.
- Dual OS partition for data protection
 - Automatic failover to secondary partition in the event of a failure on the primary partition
 - Provides a system recovery option without loss of data

What Is NAS?

NAS is an acronym for Network Attached Storage. NAS solutions are specialized file-serving devices that support heterogeneous files in a high-capacity storage solution on Ethernet based networks. NAS solutions also provide specific features to simplify the tasks and reduce the resources associated with data storage and management. The objective of NAS technology is to simplify manageability and improve data access to clients and applications. A NAS solution will generally provide network accessible storage to a mix of clients and servers running different operating systems.

Benefits Of NAS

Cost-Effective Scalable

- Low acquisition cost that provides investment protection
- Provides a range of capacity points to allowing customers to choose their capacity point not have it dictated to them

High Performance

- Utilizes the latest Intel® Pentium 4 processors and the fastest ATA hard disk drives for optimal performance

Reliable

- Utilizes hot swap ATA hard drives
- Provides data protection capabilities like software-based RAID and support for multiple backup and anti-virus packages

Manageable

- Supports multiple management methods including Insight Manager, HP OpenView, web GUI and command console

Open

- Supports numerous file serving protocols: CIFS, NFS, NCP, AFP, HTTP and FTP

Compact

- 1U form-factor provides a great storage solution that minimizes space requirements. Rackmount or desktop

Standard

- Microsoft® Windows® Powered operating system allows customers to use off the shelf backup and anti-virus packages

Serviceable

- Hot swap drives allow for quick repair and allow customers to self maintain their storage

Overview

Product Highlights	Capacity	<ul style="list-style-type: none">● Product available in three different capacity points: 320 GB, 640 GB and 1 TB (raw capacity)
	Easy Installation	<ul style="list-style-type: none">● Configuration via the web allows customers to have the NAS 1000s up and running on their network in minutes● All setup and configuration can be done over the LAN or directly connected to the system
	Fault Tolerance	<ul style="list-style-type: none">● The NAS 1000s ships with a redundant OS partition for OS recovery and system protection
	Fault Recovery	<ul style="list-style-type: none">● The NAS 1000s ships with a quick restore DVD for disaster recovery to reset the machine back to factory defaults (data destructive)
	Hot Swappable Support	<ul style="list-style-type: none">● ATA hot swappable drives allows customers to quickly change out a drive in the event of a failure without disabling client access or powering off the system
	Integration	<ul style="list-style-type: none">● The NAS 1000s fits seamlessly into the customers existing network environment, no additional hardware is needed to configure the machine to serve in heterogeneous environments
	Manageability	<ul style="list-style-type: none">● The NAS 1000s is manageable by a web based graphical user interface (GUI) or command console● CIM and HP OpenView management are available via SNMP
	Options Supported	<ul style="list-style-type: none">● The NAS 1000s supports an external USB DVD-ROM drives for Quick Restore functionality and upgrade support
	Scalability	<ul style="list-style-type: none">● The NAS 1000s is a fixed capacity box; three capacity points are available: 320 GB, 640 GB and 1 TB
	Serviceability	<ul style="list-style-type: none">● The NAS 1000s ships with hot swappable ATA hard drives to eliminate down time in the event of a single hard drive failure:<ul style="list-style-type: none">○ 80 GB HDD assembled to hot plug carrier (pre-tested)○ 160 GB HDD assembled to hot plug carrier (pre-tested)○ 250 GB HDD assembled to hot plug carrier (pre-tested)

Software Components

HP Supplied Software

- **Insight Manager** – The NAS 1000s supports Insight Manager through SNMP
- **HP OpenView** – The NAS 1000s supports HP OpenView through SNMP
- **Persistent Storage Manager** – Provides online snapshot functionality

Service and Support, HP Care Pack and Warranty Information

Storage Service Packages The Storage Services Packaging takes the existing storage product along with the existing services and creates a package of the storage hardware and appropriate services. The increased level of support provides for a higher level of storage system availability for the customer. The package includes 24x7 support with a 4-hour response for 3 years as well as installation and startup service.

Software Product Services

- HP warrants only that the Software media will be free of physical defects for a period of 90 days from delivery.
- Upgrades to the 90 day media defect warranty are available as HP Care Pack services. These services are available to upgrade the warranty to (1 or 3) full year of 9 hours by 5 days (or 24x7) software advisory and remedial software telephone support, new version license rights, and media and documentation distribution service.

Hardware Product Services

- Installation services
- On-site maintenance (includes warranty support)
- Response time upgrades during the warranty period
- Post-warranty coverage
- RAID setup and performance consulting via statement of work
- Migration service consulting via statement of work
- For additional hardware installation and maintenance information please refer to the URLs listed below:
<http://h18005.www1.hp.com/services/carepaq/us/install/>
<http://h18005.www1.hp.com/services/carepaq/us/hardware/>

Installation and Startup Services The Installation and Startup Service package provides installation and configuration of HP StorageWorks products. Major categories of work could include:

- Pre-installation consulting and planning
- Hardware installation, configuration and verification
- Service tools installed, configured and verified
- Customer orientation

Warranty The HP StorageWorks NAS has a standard 3-1-1 warranty (3 years parts, one year onsite and one year carry-in)

Warranty Upgrade Options

- Response – Upgrade on-site response from next business day to same day 4-hours
- Coverage – Extend hours of coverage from 5 days x 9 hours to 7 days x 24 hours
- Duration – Select duration of coverage for a minimum period of 1 year or multiple years

The HP Care Pack is defined as an upgrade to the product warranty attribute, available for a specific duration and hours of coverage.

- HP Care Pack is not available for less than the product's warranty duration.
- HP Care Pack is available for sale anytime during the warranty period for most products, but the commencement date will be the same as the Warranty Start Date (delivery date to end user customer). Proof of purchase may be required.
- HP Care Pack services are prepaid.
- For additional HP Care Pack (hardware & software) information, as well as orderable part numbers, please refer to the URL listed below:
<http://h18005.www1.hp.com/services/carepaq/index.html>

Components The following brick level options/components do not have individual HP Care Pack Services. These items will be included in product HP Care Pack Services into which they are installed.

Disk Drives	Tape Drives	CD/DVD ROM	SCSI Hubs in SBBs
Bus Converters	Backplane RAID Controllers	Power Supplies	Cabling

Models

* **NOTE:** The NAS 1000s is a fixed capacity box that is not upgradeable. Three capacity points are available.

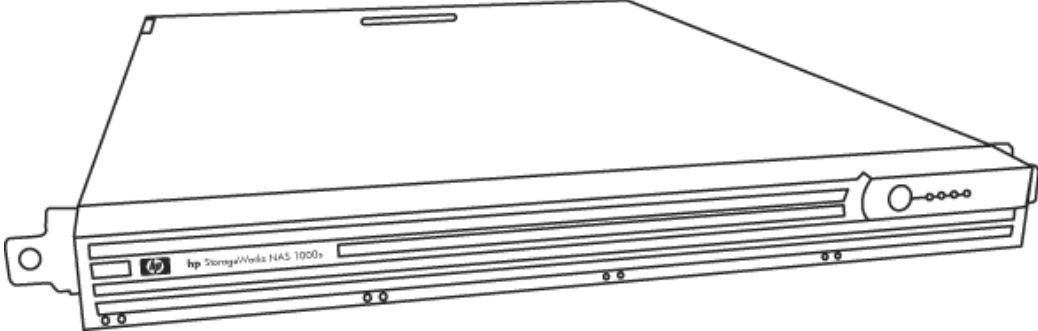
HP StorageWorks NAS 1000s Model 320 GB 305016-B21	Processor	(1) Intel Pentium 4 Processor 2.40 GHz standard
	Cache Memory	512 KB L2 Cache
	Memory	512 MB PC2100 Registered ECC DDR SDRAM DIMM Memory
	Network Controller	Dual auto sensing Gigabit NICs (embedded)
	Storage Controller	SCSI card (embedded)
	Hard Drive (Internal storage)	Four (4) 80GB 7200 rpm 1" hard drives standard
	Raw Storage Capacity	320 GB
	Protocol Support	CIFS, NFS, NCP, AFP, HTTP and FTP
	OS Support	Microsoft Windows Powered OS and SAK 2.0
	Form Factor	1U Form Factor (1.75 in/4.45 cm)

HP StorageWorks NAS 1000s Model 640 GB 305017-B21	Processor	(1) Intel Pentium 4 Processor 2.80 GHz standard
	Cache Memory	512 KB L2 Cache
	Memory	512 MB PC2100 Registered ECC DDR SDRAM DIMM Memory
	Network Controller	Dual auto sensing Gigabit NICs (embedded)
	Storage Controller	SCSI card (embedded)
	Hard Drive (Internal storage)	Four (4) 160GB 7200 rpm 1" hard drives standard
	Raw Storage Capacity	640 GB
	Protocol Support	CIFS, NFS, NCP, AFP, HTTP and FTP
	OS Support	Microsoft Windows Powered OS and SAK 2.0
	Form Factor	1U Form Factor (1.75 in/4.45 cm)

HP StorageWorks NAS 1000s Model 1 TB 334196-B21	Processor	(1) Intel Pentium 4 Processor 2.80 GHz standard
	Cache Memory	512 KB L2 Cache
	Memory	512 MB PC2100 Registered ECC DDR SDRAM DIMM Memory
	Network Controller	Dual auto sensing Gigabit NICs (embedded)
	Storage Controller	SCSI card (embedded)
	Hard Drive (Internal storage)	Four (4) 250GB 7200 rpm 1" hard drives standard
	Raw Storage Capacity	1 TB
	Protocol Support	CIFS, NFS, NCP, AFP, HTTP and FTP
	OS Support	Microsoft Windows Powered OS and SAK 2.0
	Form Factor	1U Form Factor (1.75 in/4.45 cm)

Models

HP StorageWorks NAS 1000s



Options

Host Based Data Replication	HP OpenView Storage Mirroring	294979-B21
	NOTE: Host based replication software	
	HP OpenView Storage Mirroring v4.2 Msft media_doc 60d	336246-B21
	HP OpenView Storage Mirroring Workgroup Edition v4.2 LTU 1	344954-B21
	HP OpenView Storage Mirroring Workgroup Edition v4.2 LTU 10	344955-B21
<hr/>		
Software Upgrade Kit	Software Upgrade Kit	349040-B21
	NOTE: Upgrade kit allows customers to migrate existing 1000s machines to equivalent 1200s software configuration.	
<hr/>		
Optical Drives	HP USB DVD Writer dvd200e	Q2099A
	Multibay USB Cradle for drives listed below:	DC373A-ABA
	● Multibay DVD-ROM Drive	168003-935
	● Multibay DVD/CD-RW Drive	269089-B25
	● Multibay DVD-ROM Drive	138230-B25
	● Multibay DVD+RW Drive	DG189A
<hr/>		
Power Cords	NOTE: The StorageWorks NAS 1000s is designated as a rackmount solution and ships standard with rackmount PDU power cables, if a customer desires to not rack the 1000s the appropriate power cord option kit must be ordered.	
<hr/>		
Tape Drives	External DAT Tape Drives	
	HP StorageWorks DAT 72 Tape Drive, External (Carbon)	Q1527A
	NOTE: Please see the DAT 72 Tape Drive QuickSpecs for additional options such as adapters, controllers, and cassettes, and for an up-to-date listing of the latest O/S Support details, please see the following:	
	http://h18000.www1.hp.com/products/quickspecs/11597_na/11597_na.HTML	
	External LTO Ultrium Tape Drives	
	HP StorageWorks Ultrium 230 for ProLiant, External (carbon)	Q1516A
	HP StorageWorks Ultrium 460 for ProLiant, External (carbon)	Q1519A
	NOTE: Please see the HP StorageWorks Ultrium Tape Drive QuickSpecs for additional options such as host bus adapters, controllers, and data cartridges, and for an up-to-date listing of the latest O/S Support details, please see the following:	
	http://h18006.www1.hp.com/products/quickspecs/11739_na/11739_na.HTML	
	External AIT Tape Drives	
	HP StorageWorks External AIT 35 GB, LVD Tape Drive (Carbon)	216885-001
	NOTE: Please see the AIT 35 GB, LVD Tape Drive QuickSpecs for additional options such as adapters, controllers, and cassettes, and for an up-to-date listing of the latest O/S Support details, please see the following:	
	http://h18000.www1.hp.com/products/quickspecs/11850_na/11850_na.HTML	
	HP StorageWorks AIT 50 GB Tape Drive, External (Carbon)	157767-002
	HP StorageWorks AIT 50 GB Tape Drive, 3U Rackmount	274333-B21
NOTE: Please see the AIT 50 GB Tape Drive QuickSpecs for additional options such as adapters, controllers, and cassettes, and for an up-to-date listing of the latest O/S Support details, please see the following:		
http://h18000.www1.hp.com/products/quickspecs/11850_na/11850_na.HTML		
HP StorageWorks External AIT 100-GB Tape Drive (carbon)	249160-001	
NOTE: Please see the AIT 100 GB Tape Drive QuickSpecs for additional options such as adapters, controllers, and cassettes, and for an up-to-date listing of the latest O/S Support details, please see the following:		

Options

http://h18000.www1.hp.com/products/quickspecs/11850_na/11850_na.HTML

External DLT Tape Drives

HP StorageWorks 40/80 GB DLT Tape Drive, External (Carbon)	146197-B23
HP StorageWorks Rackmount DLT 40/80, 3U (Single Drive)	274332-B21
HP StorageWorks Rackmount DLT 40/80, Dual Drive 3U (Two Drives)	274335-B21
HP StorageWorks Rackmount DLT 40/80, Tape Array III, 5U (Four Drives)	274337-B21

NOTE: Please see the 40/80 GB DLT Drive QuickSpecs for additional options such as host bus adapters, controllers, cassettes, and for an up-to-date listing of the latest O/S Support details, please see the following:

http://h18000.www1.hp.com/products/quickspecs/10658_na/10658_na.HTML

External DLT VS Tape Drives

HP StorageWorks DLT VS80 Tape Drive, External (Carbon)	280129-B22
--	------------

NOTE: Please see the DLT VS80 Tape Drive QuickSpecs for additional options such as host bus adapters, controllers, cassettes, and for an up-to-date listing of the latest O/S Support details, please see the following:

http://h18000.www1.hp.com/products/quickspecs/11403_na/11403_na.HTML

External SDLT Tape Drives

HP StorageWorks SDLT 320, External (carbon)	257319-001
---	------------

NOTE: Please see the SDLT 320 GB Tape Drive QuickSpecs for additional options such as adapters, controllers, and media, and for an up-to-date listing of the latest O/S Support details, please see the following:

http://h18000.www1.hp.com/products/quickspecs/11840_na/11840_na.HTML

HP StorageWorks SDLT 220, External (Carbon)	192103-002
HP StorageWorks Rackmount SDLT 220, 3U (Single Drive)	274331-B21
HP StorageWorks Rackmount SDLT 220, Dual-Drive, 3U (Two Drives)	274334-B21
HP StorageWorks Rackmount SDLT 220, Tape Array III, 5U (Four Drives)	274336-B21

NOTE: Please see the SDLT 220 GB Tape Drive QuickSpecs for additional options such as adapters, controllers, and media, and for an up-to-date listing of the latest O/S Support details, please see the following:

http://h18000.www1.hp.com/products/quickspecs/11840_na/11840_na.HTML

External 1/8 Autoloader

HP StorageWorks 1/8 Autoloader, Rackmount kit	C9572CB
HP StorageWorks 1/8 Autoloader Tabletop, Ultrium 230	C9264CB
HP StorageWorks 1/8 Autoloader, Tabletop, DLT VS80	C9268R

NOTE: Please see the 1/8 Autoloader QuickSpecs for additional options such as adapters, controllers, and cassettes, and for an up-to-date listing of the latest O/S Support details, please see the following:

http://h18000.www1.hp.com/products/quickspecs/11841_na/11841_na.HTML

External AIT Autoloader

HP StorageWorks AIT 35 GB Autoloader, Rackmount (Carbon)	280349-001
--	------------

NOTE: Please see the AIT 35 GB Autoloader QuickSpecs for additional options such as adapters, controllers, and cassettes, and for an up-to-date listing of the latest O/S Support details, please see the following:

http://h18000.www1.hp.com/products/quickspecs/11404_na/11404_na.HTML

Rackmount Tape Drive Kits

3U Rackmount Kit	274338-B21
------------------	------------

NOTE: The 3U Rackmount Kit (PN 274338-B21) can support up to (2) full-height or (4) half-height tape drives and compatible with multiple Single-Ended and LVD SCSI Tape Drives including the 12/24-GB DAT, 20/40-GB DAT, 20/40-GB DAT DDS-4 8 Cassette Autoloader, AIT 35-GB LVD, AIT 50 GB, DLT VS 40/80, 40/80-GB DLT, SDLT 110/220-GB, SDLT 160/320-GB, Ultrium 230, and Ultrium 460 Tape Drives.

5U Rackmount Kit	274339-B21
------------------	------------

NOTE: The 5U Rackmount Kit (PN 274339-B21) can support up to (4) full-height tape drives and is compatible with all Ultrium/DLT/SDLT tape drives including the 40/80 GB DLT, SDLT 110/220 GB,

Options

SDLT 160/320-GB, Ultrium 230, and Ultrium 460 Tape Drives.

NOTE: Please see the Rackmount Tape Drive Kits QuickSpecs for additional information regarding these kits, please see the following:

http://h18000.www1.hp.com/products/quickspecs/10854_na/10854_na.HTML

Rackmount Tape Drive Cable Kits

LVD Cable Kit, VHDCI/HD68

168048-B21

NOTE: For use with the 3U RM Storage Enclosure and DLT Tape Array III only.

LVD Cable Kit, HD68/HD68

242381-B21

NOTE: For use with the 3U RM Storage Enclosure and DLT Tape Array III only.

Tape Automation

SSL2020 – AIT50 based library with up to 2 drives and 20 slots

SSL2020 AIT Mini-Library 1 drive, 20 slot Rackmount

175196-B21

SSL2020 AIT Mini-Library 2 drive, 20 slot Rackmount

175196-B22

SSL2020 AIT Library Pass Thru with Transport

175312-B21

Add-on drives and accessories

SSL2020 AIT Library Pass Thru Extender

175312-B22

AIT 50GB Drive Add-On LVD Drive for SSL2020 AIT Library

175197-B21

19 Slot Magazine for SSL2020 AIT Library

175198-B21

AIT 50-GB Data Cassette (5 pack)

152841-001

AIT Cleaning Cassette

402374-B21

NOTE: Please see the SSL2020 Automated AIT Tape Library Solution QuickSpecs for additional information including Upgrade Kits, Accessories, and SCSI Cable Kits and additional options needed for a complete solution at:

http://h18000.www1.hp.com/products/quickspecs/10580_na/10580_na.HTML

UPS Power Cord Reference Guide

Please see the UPS Power Cord Reference Guide for that lists cable descriptions, requirements, and specifications for UPS units.

<ftp://ftp.compaq.com/pub/products/servers/ProLiantstorage/power-protection/powercordmatrix.pdf>.

Options

HP Rack 10000 Series (Graphite Metallic)

HP S10614 (14U) Rack Cabinet - Shock Pallet	292302-B22
HP 10842 (42U, 800mm wide) Rack Cabinet - Pallet	257415-B21
HP 10842 (42U, 800mm wide) Rack Cabinet - Shock Pallet	257415-B22
HP 10647 (47U) Rack Cabinet - Pallet	245160-B21
HP 10647 (47U) Rack Cabinet - Shock Pallet	245160-B23
HP 10642 (42U) Rack Cabinet - Pallet	245161-B21
HP 10642 (42U) Rack Cabinet - Shock Pallet	245161-B22
HP 10642 (42U) Rack Cabinet - Crated	245161-B23
HP 10636 (36U) Rack Cabinet - Pallet	245162-B21
HP 10636 (36U) Rack Cabinet - Shock Pallet	245162-B22
HP 10636 (36U) Rack Cabinet - Crated	245162-B23
HP 10622 (22U) Rack Cabinet - Pallet	245163-B21
HP 10622 (22U) Rack Cabinet - Shock Pallet	245163-B22
HP 10622 (22U) Rack Cabinet - Crated	245163-B23

NOTE: -B21 (pallet) used to ship empty racks shipped on a truck

-B22 (shock pallet) used to ship racks with equipment installed (by custom systems, VARs and Channels)

-B23 (crated) used for air shipments of empty racks

NOTE: It is mandatory to use a shock pallet in order to ship racks with equipment installed.

NOTE: Please see the Rack 10000 QuickSpecs for Technical Specifications such as height, width, depth, weight, and color:

http://h18000.www1.hp.com/products/quickspecs/10995_na/10995_na.HTML

NOTE: For additional information regarding Rack 10000 Cabinets, please see the following URL:

<http://h18000.www1.hp.com/products/servers/proliantstorage/racks/10000series.html>

Options

Rack Options for HP Rack 10000 Series	Rack Blanking Panels – Graphite (Multi)	253214-B26
	NOTE: Contains one each of 1U, 2U, 4U and 8U.	
	Rack Blanking Panels – Graphite (1U)	253214-B21
	NOTE: The Rack Blanking Panels (PN 253214-B21) contains 10 each of (1U).	
	Rack Blanking Panels – Graphite (2U)	253214-B22
	NOTE: The Rack Blanking Panels (PN 253214-B22) contains 10 each of (2U).	
	Rack Blanking Panels – Graphite (3U)	253214-B23
	NOTE: The Rack Blanking Panels (PN 253214-B23) contains 10 each of (3U).	
	Rack Blanking Panels – Graphite (4U)	253214-B24
	NOTE: The Rack Blanking Panels (PN 253214-B24) contains 10 each of (4U).	
	Rack Blanking Panels – Graphite (5U)	253214-B25
	NOTE: The Rack Blanking Panels (PN 253214-B25) contains 10 each of (5U).	
	600-mm Stabilizer Kit – Graphite	246107-B21
	800mm Wide Stabilizer Kit (Graphite)	255488-B21
	NOTE: Supported by the Rack 10842 cabinet only.	
	Baying Kit for Rack 10000 series (Carbon)	248929-B21
	42U Side Panel – Graphite Metallic	246099-B21
	110V Fan Kit (Graphite)	257413-B21
	NOTE: Roof Mount Includes power cord with IEC320-C13 to Nema 5-15P.	
	220V Fan Kit (Graphite)	257414-B21
	NOTE: Roof Mount Includes power cord with IEC320-C13 to Nema 6-15P.	
	36U Side Panel – Graphite Metallic (for 10636 Rack only)	246102-B21
	47U Side Panel – Graphite Metallic (for 10647 Rack only)	255486-B21
	9000/10000 Series 42U Offset Baying Kit	248931-B21
	NOTE: This kit can be used to connect 9000 and 10000 series racks of the same U height together. Kit contents include hardware for connecting racks and a panel to cover the 100-mm gap at the rear of the two racks.	
	NOTE: For additional information regarding Rack Options, please see the following URL: http://h18000.www1.hp.com/products/servers/proliantstorage/rack-options/index.html .	

Storage

Tape Drives (External only supported)

NOTE: For an up-to-date listing of the latest O/S Support details for each of the Tape Drives listed below, please see the following: http://h18000.www1.hp.com/products/quickspecs/North_America/10233.html

NOTE: For an up-to-date listing of the latest O/S Support details for each of the Tape Storage Systems listed below, please see the following: http://h18000.www1.hp.com/products/quickspecs/North_America/10809.html

20/40-GB DAT DDS-4 Tape Drive, External	Up to 2	External	64-Bit/133-MHz Dual Channel Ultra320 SCSI Adapter
DAT 72 Tape Drive, External			
Ultrium 230 Tape Drive, External	Up to 2	External	64-Bit/133-MHz Dual Channel Ultra320 SCSI Adapter
Ultrium 460 Tape Drive, External			
AIT 35-GB, LVD Tape Drive, External	Up to 2	External	64-Bit/133-MHz Dual Channel Ultra320 SCSI Adapter
AIT 50-GB Tape Drive, External			
AIT 100-GB Tape Drive, External			
Rackmount AIT 50-GB, 3U			
40/80-GB DLT Tape Drive, External	Up to 2	External	64-Bit/133-MHz Dual Channel Ultra320 SCSI Adapter
Rackmount DLT 40/80, 3U (Single Drive)			
Rackmount DLT 40/80, Dual-Drive, 3U (Two Drives)			
Rackmount DLT 40/80, Tape Array III, 5U (Four Drives)			
DLT VS 40/80 Tape Drive, External			
SDLT 320, External	Up to 2	External	64-Bit/133-MHz Dual Channel Ultra320 SCSI Adapter
SDLT 220, External			
Rackmount SDLT 220, 3U (Single Drive)			
Rackmount SDLT 220, Dual-Drive, 3U (Two Drives)			
Rackmount SDLT 220, Tape Array III, 5U (Four Drives)			
1/8 Autoloader, Rackmount kit	Up to 2	External	64-Bit/133-MHz Dual Channel Ultra320 SCSI Adapter
1/8 Autoloader Tabletop, Ultrium 230			
1/8 Autoloader, Tabletop, DLT VS80			
AIT 35 GB Autoloader, Rackmount			
SSL2020 AIT Mini-Library	Up to 5	External	64-Bit/133-MHz Dual Channel Ultra320 SCSI Adapter SAN Access Module for Smart Array 5302 Controller

Technical Specifications

Dimensions (HxWxD)	Rack	800 x 56 2x 190 mm, 1.71 x 16.87 x 17.72 in (4.32 x 42.86 x 45.0 cm)
Weight	Rack	42.25 lb shipping, 27 lb out of box
LED Indicators (On Front Panel) (if applicable)		Drive, LAN and system power LED's
Cable Type		Ethernet Connection to Network
Cache		1 MB
Drives Supported		7200 rpm ATA drives. All models ship with hard drives pre-installed
Input Requirements	Nominal Line Voltage	100 to 120 VAC/200 to 240 VAC
	Range Line Voltage	90 to 132 VAC/180 to 265 VAC
	Line Frequency	50 to 60 Hz
	Typical Input Current	2.5 Amps (100 VAC) , 1.3 Amps (200 VAC)
	Rated Input Power	250 Watts Max.
Interface		Drive Interface information
Maximum Number of Drives		4, pre-installed
Power		250 Watts (Power Cords supplied with the 1000s: US Power Cord - C13 to C19, IEC Jumper C13 to C14)
Reliability Features		
Relative Humidity (non-condensing)	Operating	10 to 80% @ 82°F (28°C) (wet bulb)
	Shipping	90% @ 82°F (28°C) (wet bulb)
Temperature Range	Operating	41 to 95° F (5°C to 35° C)
	Shipping	-40 to 158° F (-40°C to 70° C)
Product Service Options		Hard drives and the total unit are replaceable parts.

© Copyright 2003 Hewlett-Packard Development Company, L.P.

The information contained herein is subject to change without notice.

Microsoft and Windows are US registered trademarks of Microsoft Corporation. Intel is a US registered trademark of Intel Corporation.

The only warranties for HP products and services are set forth in the express warranty statements accompanying such products and services. Nothing herein should be construed as constituting an additional warranty. HP shall not be liable for technical or editorial errors or omissions contained herein.