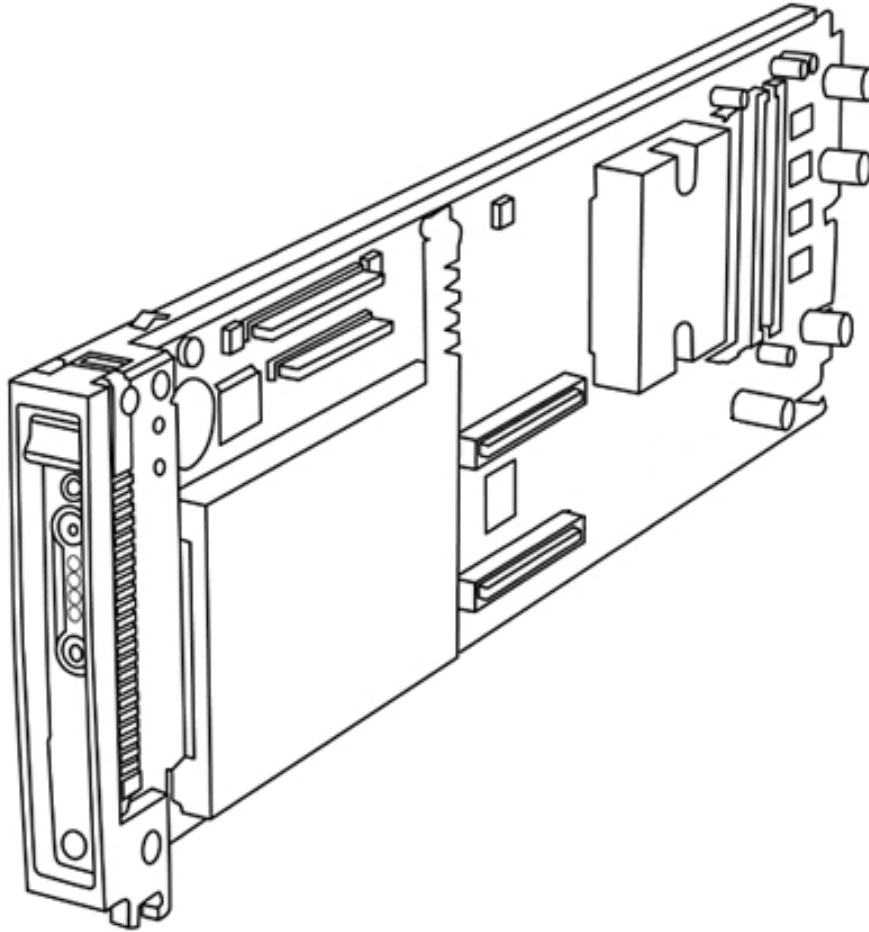


Overview



HP bc1000 blade PC

At a Glance

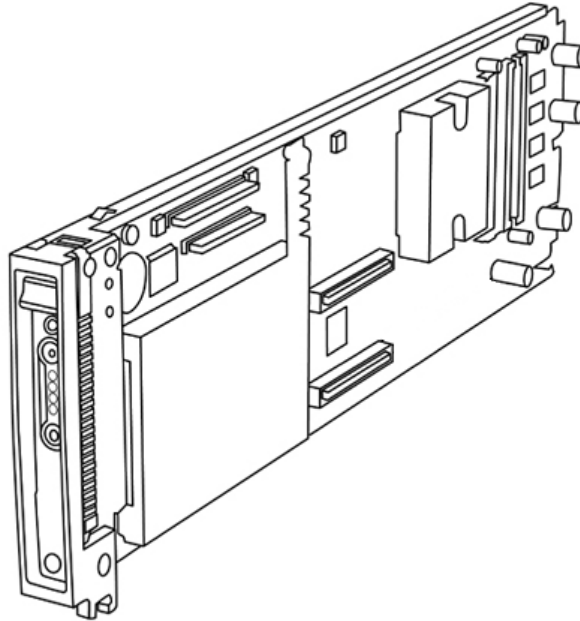
- 1.0-GHz Transmeta Efficeon TM8000
- 40-GB Ultra ATA/100 5400 rpm hard drive
- 512-MB DDR SDRAM PC2700 (333-MHz) expandable to 1024 MB (2 SODIMM slots)
(NOTE: 32 MB of system RAM is reserved for processor usage.)
- Two Broadcom 5705F 10/100 Integrated Network Controllers. NIC 1 is compliant with PXE (Pre-boot execution Environment)
- Connector for graphics diagnostics card
- Blade PCs protected by HP Services, including a limited three-year parts warranty with optional service uplifts available

Overview

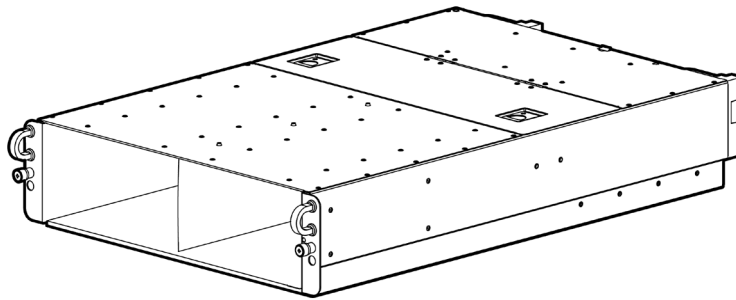
Configuration Steps

For a complete configuration of the HP bc1000 blade PC system, you need:

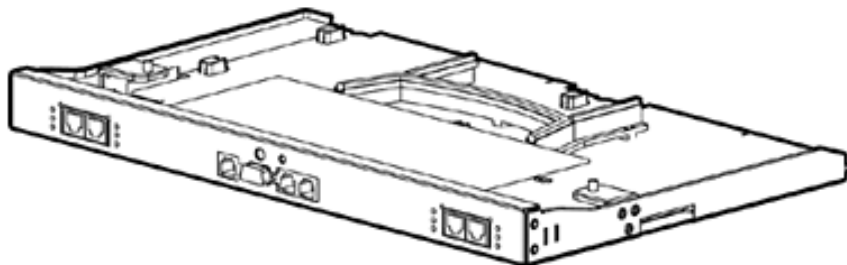
1. HP bc1000 blade PC (sold in a single-pack or 10-pack)



2. HP e-Class Blade PC Enclosure (each can hold up to 20 blade PCs). The enclosure comes bundled with 20 licenses for the ProLiant Essentials Rapid Deployment Pack.



3. C-GbE Interconnect Switch (with 4 10/100/1000T Gigabit Ethernet RJ45 uplinks for up to 40-to-1 network cable reduction).



Standard Features

HP bc1000 blade PC

Processor One Transmeta Efficeon TM8600 1.0-GHz processor, integrated North Bridge with 400-MHz Hyper Transport South Bridge interface

Cache Memory 1024K L2

Chipset ALi M1563M South Bridge
NOTE: For more information regarding Acer Labs Inc, please see the following URL:
<http://www.ali.com.tw/>.

Memory Standard 512-MB DDR SDRAM PC2700 (333-MHz) (1x512 MB SODIMM)
(NOTE: 32 MB of system RAM is reserved for processor usage.)
Maximum 1024 MB (2 SODIMM slots total)

Network Controller Two 5705F 10/100 Integrated Network Controllers. NIC 1 is compliant with PXE

Internal Storage One 40-GB Ultra ATA/100 5400 rpm hard drive

Industry Standard Compliance ACPI 1.0b; ANSI C63.4 - 1992; C.I.S.P.R. Pub 22; CFR 47, Part 15; EN 55022; EN 55024; EN 60950: 2000; ICES-003; IEC 61000-4, Section 2-6, 8, 11; IEC 730-1; IEC 801, Part 2; IPC-A-610; PC2700; PCI 2.3; PXE 2.1; SPD 1.2B; UL 94; UL 796; USB 1.1

Manageability HP Systems Insight Manager
ROM Based Setup Utility (RBSU)
Automatic System Recovery (ASR)
System Software Manager (SSM)
DOS-based replicated setup utility (REPSET)
Unit ID LED

High Availability Robust boot block recovery ROM
F5 auto roll over to new blade
Dual network communication paths

Security Administrator's password

OS Support Microsoft® Windows® XP Professional with Service Pack 2

Standard Features

HP e-Class Blade PC Enclosure (sold separately)

Rack Capability Mounts in HP 10000 and 9000 series, HP System-E, as well as third-party, and Telco racks. Rack mounting hardware for HP and third-party racks ships standard with each blade enclosure. Telco rack-mounting hardware is a separately available option kit.

Rack Airflow Requirements The increasing power of new high-performance processor technology requires increased cooling efficiency for rack-mounted blade PCs. The HP 10000 Series Racks provide enhanced airflow for maximum cooling, allowing these racks to be fully loaded with blade PCs using the latest processors.

CAUTION: If a third-party rack is used, observe the following additional requirements to ensure adequate airflow and to prevent damage to the equipment:

- Front and rear doors: If your 42U rack includes closing front and rear doors, you must allow 5,350 square cm (830 square inches) of hole evenly distributed from top to bottom to permit adequate airflow (equivalent to the required 64 percent open area for ventilation).
- Side: The clearance between the installed rack component and the side panels of the rack must be a minimum of 7 cm (2.75 inches).

CAUTION: Always use blanking panels to fill all remaining empty front panel U-spaces in the rack. This arrangement ensures proper airflow. Using a rack without blanking panels results in improper cooling that can lead to thermal damage.

NOTE: Please consult the Setup & Installation Guide for the blade PC for additional details.

Enclosure includes 3U high rack-mountable chassis with 20 blade PC bays
Rack mounting hardware for HP, Compaq-branded and third-party racks
Rear bay for Interconnect Switch for network cable management
Two (2) Diagnostic Adapters (see features following) for connecting keyboard, video, mouse and other devices locally to individual blade PCs
ProLiant Essentials Foundation Pack licenses for 20 Blade PCs (see features following), includes the HP Systems Insight Manager and ProLiant Essentials Rapid Deployment Pack CD
Four hot-plug fans
Dual hot-plug power supplies (600 watts each), power cords
Blade PC blanks (to fill 19 of the 20 blade PC bays)
Null-modem cable for serial connection to the Integrated Administrator serial "Console" connector
HP Documentation CD

Diagnostic Adapter Interfaces **NOTE:** Two Diagnostic Adapters are included with every enclosure.
Blade PC LEDs (6)
PS/2 Mouse
PS/2 Keyboard
VGA monitor (functional only when graphics diagnostics card installed)
Serial RS-232 port
USB 1.1 ports (2)

Standard Features

ProLiant Essentials Foundation Pack Software	HP Systems Insight Manager	Systems Insight Manager helps maximize system uptime and performance and reduces the cost of maintaining the IT infrastructure by providing proactive notification of problems before those problems result in costly downtime and reduced productivity. Insight Manager is easy to set up and provides rapid access to inventory information. http://www.hp.com/go/hpsim/ .
	ProLiant Essentials Rapid Deployment Pack	An automated solution for deployment and provisioning, enabling companies to quickly and easily adapt to changing business demands. NOTE: For more information regarding ProLiant Essentials Software, please see the following URL: http://www.hp.com/servers/proliantessentials .
	Interconnect Switch Management System and Utilities	Full featured web-based interface, menu-driven console interface, SNMP-based scripting utility and example scripts, SNMP and RMON MIBs, and TFTP utilities for management of interconnect switch.

C-GbE Interconnect Switch Features (sold separately)

- Provides up to a 40-to-1 reduction in network cables for each blade enclosure using a pair of non-blocking layer 2 switch modules
- Four RJ-45 10/100/1000T Gigabit Ethernet uplinks
- Forty 10/100T Ethernet ports dedicated to blade-to-interconnect switch network communications
- Communicate with all 40 blade PC network controllers through any one uplink connector and the management connector
- Includes Integrated Administrator module (see features following)
- Spanning tree protocol for loop-free path redundancy
- Browser, scriptable CLI, and console-based interfaces for local and remote interconnect switch management
- Manage entire interconnect switch through the Integrated Administrator connectors or any uplink connector
- Telnet, RMON and SNMP support; SNMP-based scripting utility with example scripts
- IGMP (internet group management protocol) multicasting and quality of service (QoS) packet prioritization
- TFTP support for rapid deployment of multiple interconnect switches and to provide backup and restore capabilities
- Industry-standard design compatible with industry-standard network components from leading network manufacturers
- Fully pre-configured for rapid deployment and immediate operation in HP e-Class Blade PC Enclosure

For more information on the C-GbE Interconnect Switch, please visit the Web site at:
<http://h18000.www1.hp.com/products/servers/proliant-bl/e-class/interconnect-switch.html>.

Standard Features

HP Integrated Administrator Features

- Out-of-band local console and remote network access to the blade enclosure and all 20 blade PCs via (one) RJ-45 10/100BaseT Fast Ethernet and (one) RS-232 management connectors
- Provides local and remote access to the C-GbE Interconnect Switch command console
- Remotely power on/off/reboot blade PCs and enclosures
- Remotely toggle on/off unit identification (UID) LEDs of blade PCs and enclosures
- Monitors and controls the enclosure fans, temperature sensors, power supplies, interconnect switch and blade PC status
- Connect to each blade PC's serial text console for enabling full control over blade PC's Power-On Self Test (POST) and boot process, including the ROM-Based Setup Utility (RBSU).
- User administration for up to 25 users. Blade PC bay privileges can be set on a per-user basis
- Virtual NMI button generates non-maskable interrupt for crash debug and analysis
- More than 100 scriptable commands enable automated management
- Selective enabling of all protocols, such as Telnet
- Logging of operating system console, blade PC and enclosure hardware events, user actions and invalid login attempts
- Administrator notification that a blade is warm
- Enclosure controller blade shutdown (graceful Windows shutdown) if blade overheats
- Emergency blade shutdown in the event of a critical temperature fault
- Enclosure Link (2) connectors reserved for future use.

CAUTION: The enclosure link (RJ-45) connectors on the interconnect tray are not to be used. Connecting an external device to these enclosure link (RJ-45) connectors may damage your external device.

For more information on the Integrated Administrator, please visit the Web site at:

<http://h18000.www1.hp.com/products/servers/proliant-bl/e-class/integrated-admin.html>.

Service and Support

HP Services provides a wide range of service offerings, including a three-year, limited parts warranty on the HP bc1000 blade PC.

CAUTION: Do not ship the blade PCs and enclosure while inside the rack without first installing the e-Class Enclosure Shipping Bracket (part number PH555A). Failure to use the shipping bracket may cause damage to the blade PC and/or enclosure, thereby voiding the warranty.

The HP e-Class Blade PC Enclosure has a three-year, limited warranty on parts, labor and on-site support.

Warranties are fully supported by a network of resellers and service providers in over 160 countries. HP warranty assistance is available 7x24, toll free in the United States and Canada. Other additional support services may be covered under warranty or available for an additional fee.

A full range of HP Care Pack packaged hardware and software services:

- Add labor or on-site service for the blade PC
- Installation and start up
- Extended coverage hours and enhanced response times
- System management and performance services
- Availability and recovery services

NOTE: For more information, customer/resellers can contact <http://www.hp.com/services/carepack>.

NOTE: Certain restrictions and exclusions apply. Consult the Customer Support Center at 1-800-567-1616 for details.

Models

bc1000 blade PC
DS658A (1 pack)

Processor	1.0-GHz Transmeta Efficeon TM8600
Cache Memory	1024K L2
Memory	512-MB DDR SDRAM PC2700 (333-MHz)
Network Controller	Two Broadcom 5705F 10/100 Integrated NICs
Hard Drive	40-GB Ultra ATA/100 5400 rpm
Form Factor	Plugs vertically into HP e-Class Blade PC Enclosure

bc1000 blade PC
DS659A (10 pack)

Processor	1.0-GHz Transmeta Efficeon TM8600
Cache Memory	1024K L2
Memory	512-MB DDR SDRAM PC2700 (333-MHz)
Network Controller	Two Broadcom 5705F 10/100 Integrated NICs
Hard Drive	40-GB Ultra ATA/100 5400 rpm
Form Factor	Plugs vertically into HP e-Class Blade PC Enclosure

Options

Enclosure and Switch	HP e-Class Blade PC Enclosure (includes 20 licenses for ProLiant Essentials Rapid Deployment Pack at 50% of the standard per-node license list price)	DW366A
	Enclosure Shipping Bracket Kit	
	NOTE: When shipping an enclosure in a rack, shipping brackets must be installed to the rack.	
	C-GbE Interconnect Switch (includes Integrated Administrator module)	DW367A
Memory	512-MB DDR SDRAM PC2700 (333-MHz) Option Kit (1 x 512 MB)	PA715A
Miscellaneous	PS/2 Mouse	DD440B
	PS/2 Keyboard	DT527A
	TFT5600 Rackmount Keyboard and Monitor	221546-001
	TFT721OR 17-inch Rackmount Monitor	348373-B21
	Integrated Keyboard and Drawer	257054-001
	External USB MultiBay Caddy	DC373A#ABA
	Third-party Rail Kit for HP Input Devices	287139-B21
	Telco Rail Kit for HP Input Devices	287138-B21
	MultiBay 24X CD-ROM	217396-930
	Graphics Diagnostics Card (5 pack)	DV300C
UPS and PDU Power Cord Matrix	<p>Please see the UPS and PDU cable matrix that lists cable descriptions, requirements, and specifications for UPS and PDU units:</p> <p>ftp://ftp.compaq.com/pub/products/servers/ProLiantstorage/power-protection/powercordmatrix.pdf.</p>	
Uninterruptible Power Systems – Rack	HP UPS R1500 XR (1440VA, 1340 Watt), Low Voltage	204404-001
	HP UPS R3000 XR (2880VA, 2700 Watt), Low Voltage	192186-001
	HP UPS R3000 XR (3000VA, 2700 Watt), High Voltage	192186-002
	Rack-Mountable UPS R6000 (6000VA, 6000 Watt) High Voltage	347207-001
	NOTE: The UPS R6000 has a hardwired input.	
	UPS R12000 XR N+ x (200-240V) (hardwired)	207552-B22
	NOTE: The UPS R12000 XR has a hardwired input and output.	

Options

UPS Options	SNMP Serial Port Card NOTE: Supports tower and rack UPS XR models ranging from 1000 – 3000VA.	192189-B21
	Six Port Card NOTE: Supports tower and rack UPS XR models ranging from 1000 – 3000VA.	192185-B21
	High to Low Voltage Transformer (250VA) NOTE: Supports R6000 UPS series only. 2.5 amps @ 125 Volts max output across two NEMA 5-15.	388643-B21
	Extended Runtime Module, R1500 XR NOTE: 2U each, two ERM maximum.	218971-B21
	Extended Runtime Module, R3000 XR NOTE: 2U each, one ERM maximum.	192188-B21
	Extended Runtime Module, R5500 XR NOTE: 3U each, two ERM maximum.	326564-B21
	Extended Runtime Module, R6000 NOTE: 3U each, two ERM maximum.	347224-B21
	Extended Runtime Module, R12000 XR, 4U NOTE: 4U each, two ERM maximum.	217800-B21
	R12000 XR BackPlate Receptacle Kit, (2) L6-30R NOTE: The R12000 XR BackPlate Kit has a hardwired input.	325361-001
	R12000 XR BackPlate Receptacle Kit, (2) IEC-309R NOTE: The R12000 XR BackPlate Kit has a hardwired input.	325361-B21
	SNMP-EN Adapter NOTE: Supports R6000 UPS series only.	347225-B21
	Multi-Server UPS Card NOTE: Supports R6000 UPS series only.	123508-B21
	Scalable UPS Card NOTE: Supports R6000 UPS series only.	123509-B21

Rack-Mountable PDUs – 1U/0U (Up to 12 outlets) NOTE: 0U mounting brackets shipped with the unit (separate option kit for 1U mounting).	HP Power Distribution Unit-16A (200 to 240V) NOTE: The 16A PDU also connects to the high volt models of the UPS R3000 XR (need cable PN 340653-001) and the UPS R6000 models. Cable PN 340653-001 required if connecting to UPS R3000 XR (192186-002-High Volt model only).	207590-B21
	HP Power Distribution Unit-40A (200 to 240V) NOTE: Please see the following Power Distribution Unit (Zero-U/1U PDU) QuickSpecs for additional options, including cables: http://h18000.www1.hp.com/products/quickspecs/10838_na/10838_na.HTML	207590-B23

Options

Modular PDUs 1U/0U (Up to 32 outlets)	<p>Modular Power Distribution Units (mPDU), High Volt Model, 16A (200-240 VAC) 252663-B24</p> <p>NOTE: This model has a detachable input power cord and is adaptable to country specific requirements. The 16A PDU also connects to the high volt models of the UPS R3000 XR and R6000 models. Cable P/N 340653-001 required if connecting to UPS R3000 XR (192186-002-High Volt model only).</p> <p>Modular Power Distribution Units (mPDU), High Volt Model, 24A (200-240 VAC) 252663-D72</p> <p>Modular Power Distribution Units (mPDU), Low Volt Model, 24A (100-127 VAC) 252663-D71</p> <p>Modular Power Distribution Units (mPDU), High Volt Model, 40A (200-240 VAC) 252663-B21</p> <p>NOTE: This mPDU (252663-B21), 40A model has a hardwired input.</p> <p>NOTE: Please see the following Modular Power Distribution Unit (Zero-U/1U Modular PDUs) QuickSpecs for additional options including shorter jumper cables and country specific power cords: http://h18000.www1.hp.com/products/quickspecs/11041_na/11041_na.HTML</p>
---	---

PDU Options	<p>Third Party PDU Mounting Kit 310777-B21</p> <p>NOTE: This kit allows you to mount the Modular PDUs in racks other than the 9000/10000 Series racks (any racks using the standard 19" rail). For more details please refer the Modular PDU QuickSpecs.</p>
--------------------	---

Enterprise Configurator Please see the CO for configuration assistance at: <http://www.hp.com/products/configurator>.

HP Rack 10000 Series (Graphite Metallic)	<p>S10614 (14U) Rack Cabinet – Shock Pallet 292302-B22</p> <p>HP Rack 10647 (47U) – Pallet 245160-B21</p> <p>HP Rack 10647 (47U) – Crated 245160-B23</p> <p>HP Rack 10642 (42U) – Pallet 245161-B21</p> <p>HP Rack 10642 (42U) – Shock Pallet 245161-B22</p> <p>HP Rack 10642 (42U) – Crated 245161-B23</p> <p>HP Rack 10636 (36U) – Pallet 245162-B21</p> <p>HP Rack 10636 (36U) – Shock Pallet 245162-B22</p> <p>HP Rack 10636 (36U) – Crated 245162-B23</p> <p>HP Rack 10622 (22U) – Pallet 245163-B21</p> <p>HP Rack 10622 (22U) – Shock Pallet 245163-B22</p> <p>HP Rack 10622 (22U) – Crated 245163-B23</p> <p>HP Rack 10842 (42U) – 800 mm wide – Pallet 257415-B21</p> <p>HP Rack 10842 (42U) – Crated 257415-B22</p>
--	---

NOTE: -B21 (pallet) used to ship empty racks shipped on a truck
 -B22 (shock pallet) used to ship racks with equipment installed (by custom systems, VARs and Channels)
 -B23 (crated) used for air shipments of empty racks

NOTE: Not all HP equipment is qualified to be shipped in the Rack 10000 series.

NOTE: Please see the Rack 10000 QuickSpecs for Technical Specifications such as height, width, depth, weight, and color:

http://h18000.www1.hp.com/products/quickspecs/10995_na/10995_na.HTML

For additional information regarding Rack Cabinets, please see the following URL:

<http://h18000.www1.hp.com/products/servers/proliantstorage/racks/index.html>.

Options

Rack Options for HP Rack 10000 Series	Rack Blanking Panels – Graphite (Multi) NOTE: Contains one each of 1U, 2U, 4U and 8U.	253214-B26	
	Rack Blanking Panels – Graphite (1U) NOTE: The Rack Blanking Panels Kit contains 10 each of (1U).	253214-B21	
	Rack Blanking Panels – Graphite (2U) NOTE: The Rack Blanking Panels Kit contains 10 each of (2U).	253214-B22	
	Rack Blanking Panels – Graphite (3U) NOTE: The Rack Blanking Panels Kit contains 10 each of (3U).	253214-B23	
	Rack Blanking Panels – Graphite (4U) NOTE: The Rack Blanking Panels Kit contains 10 each of (4U).	253214-B24	
	Rack Blanking Panels – Graphite (5U) NOTE: The Rack Blanking Panels Kit contains 10 each of (5U).	253214-B25	
	600mm Stabilizer Kit – Graphite	246107-B21	
	Baying Kit for Rack 10000 series (Carbon)	248929-B21	
	42U Side Panel – Graphite Metallic	246099-B21	
	110V Fan Kit (Graphite) NOTE: Roof Mount Includes power cord with IEC320-C13 to Nema 5-15P.	257413-B21	
	220V Fan Kit (Graphite) NOTE: Roof Mount Includes power cord with IEC320-C13 to Nema 6-15P.	257414-B21	
	36U Side Panel – Graphite Metallic	246102-B21	
	47U Side Panel – Graphite Metallic	255486-B21	
	9000/10000 Series Offset Baying Kit (42U) NOTE: This kit can be used to connect 9000 and 10000 series racks of the same U height together. Kit contents include hardware for connecting racks and a panel to cover the 100mm gap at the rear of the two racks.	248931-B21	
	Cable Management	FC Cable Routing Spool – box of 12	293357-B21
		Rail-to-Rail FC Cable Routing	293358-B21
Side Rail FC Routing – box of 6		293359-B21	
Compaq Networking Cable Management Kit		292407-B21	
Cable Management D-Rings Kit		168233-B21	
Rack Options for Rack 10000 Series	Monitor Utility Shelf	303606-B21	
	Ballast Option Kit	120672-B21	
	100kg Sliding Shelf	234672-B21	
	Rack Rail Adapter Kit (25" depth)	120675-B21	
	9000/10000 Grounding Kit	260457-B21	
	100-kg Shelf Kit NOTE: This 100Kg Shelf Kit (PN 234672-B21) supports the Rack 10000 and 9000 series only.	234672-B21	

Options

Rack Options for HP, Third Party and Telco racks

Telco rack-mounting hardware kit for HP e-Class Blade PC Enclosure
Enclosure Shipping Bracket Kit

266076-B21

293119-B21

NOTE: When shipping an enclosure in a rack shipping brackets must be installed to the rack.

NOTE: For more information on rack and rack options, please visit the following url:
<http://h18000.www1.hp.com/products/servers/proliantstorage/rack-options/index.html>.

Memory

HP bc1000 blade PC

Standard Memory

512-MB 333-MHz DDR SDRAM (1x512 MB SODIMM) installed. (NOTE: 32 MB of system RAM is reserved for processor usage.)

Standard Memory Plus Optional Memory

Up to 1024 MB of DDR SDRAM is available with the installation of optional DDR SDRAM memory expansion kits (sold separately).

Memory		Slot	
		1	2
Standard	512 MB	Empty	512 MB
Maximum	1024 MB	512 MB	512 MB

Technical Specifications

HP bc1000 blade PC	Dimensions	Height	4.7 in (11.94 cm)	
		Width	0.8 in (2.03 cm)	
		Depth	15.5 in (39.37 cm)	
	Weight	Maximum	2.2 lb (1.0 kg)	
		Temperature ¹	Operating	50° to 95° F (10° to 35° C)
	Non-operating shipping		-40° to 140° F (-40° to 60° C)	
	Non-operating storage		-4° to 140° F (-20° to 60° C)	
	Relative humidity ¹ (noncondensing)	Operating	10% to 90%	
		Non-operating shipping	10% to 90%	
		Non-operating storage	10% to 95%	
	LEDs (Top to bottom)	Unit identification	Off	= off
			Steady blue	= blade identified
			Blinking blue	= being accessed remotely
		Health	Off	= off
			Green	= health good
Amber			= degraded or power up prohibited by the Integrated Administrator	
NIC 1		Blinking or steady red	= critical	
		Off	= off	
		Green	= linked to network	
NIC 2		Blinking green	= Activity on network	
	Off	= off		
	Green	= linked to network		
Drive activity	Blinking green	= activity on network		
	Off	= No drive activity		
Power	Blinking green	= drive activity		
	Off	= no AC power to blade or enclosure		
	Amber	= Enclosure on and in good health		
		Green	= blade power on	

NOTE 1: Operating temperature has an altitude derating of 34° F (1° C) per 1,000 ft (304.8 m). No direct sunlight. Storage maximum humidity of 95% is based on a maximum temperature of 112° F (45° C). Minimum pressure for storage is 70 KPa.

40-GB Ultra ATA/100 Hard Drive	Capacity	40 GB	
	Interface	Ultra ATA 100	
	Transfer rate synchronous (maximum)	100 MB/s	
	Seek time (typical reads, including settling)	Single track	1.5 ms
		Average	12 ms
		Maximum	22 ms
	Rotational speed	5400 rpm	

Technical Specifications

Broadcom 5705F 10/100 Network interface Integrated NIC		10Base-T/100Base-TX
	Compatibility	IEEE 802.3/802.3u compliant
	Data transfer method	32-bit bus-master PCI
	Features	NIC 1 WOL enabled and PXE compliant
	Network transfer rate	10Base-T (half-duplex) 10 Mb/s 10Base-T (full-duplex) 20 Mb/s 100Base-TX (half-duplex) 100 Mb/s 100Base-TX (full-duplex) 200 Mb/s
	Connector	Mates into enclosure center wall assembly
	Cable support	10Base-T Categories 3, 5, or 6 UTP; up to 328 ft (100 m) 100Base-TX Category 5 or 6 UTP; up to 328 ft (100 m)

Enclosure	Dimensions	Height (3U)	5.25 in (13.34 cm)
		Width	19 in (48.26 cm)
		Depth	27 in (68.58 cm)
	Weight (with interconnect tray)	No blade PCs	59 lb (26.76 kg)
		20 blade PCs	103 lb (46.7 kg)
	Rated input (autosensing)	Voltage	Minimum: 90 VAC
			Maximum: 264 VAC
			Nominal: 100 to 120 VAC or 200 to 240 VAC
		Frequency	47 to 63 Hz
		Current	11.7 A at 90 VAC 8.5 A at 120 VAC 4.3 A at 240 VAC
	BTUs	Power	1000 W
		Per hour	3416
	Temperature¹	Operating	50° to 95° F (10° to 35° C)
		Shipping, 72 hours	-40° to 140° F (-40° to 60° C)
	Relative humidity (noncondensing)	Operating	10% to 90%
Non-operating		10% to 95%	
Management	Enclosure self recovery		
	Health logs		
	Redundant power supply utility		
	Automatic System Recovery (ASR)		
High availability	Redundant hot-plug power supplies		
	Redundant hot-plug fans		

NOTE 1: Operating temperature has an altitude derating of 34° F (1° C) per 1,000 ft (304.8 m). No direct sunlight. Storage maximum humidity of 95% is based on a maximum temperature of 112° F (45° C). Minimum pressure for storage is 70 KPa.

Technical Specifications

Enclosure Hot-Plug Power Supply	Dimensions	Height	3.579 in (9.14 cm)	
		Depth	10.24 in (28.45 cm)	
		Width	4.47 in (11.43 cm)	
	Weight		6.5 lb (2.95 kg)	
Rated input	Rated input	Voltage (autosensing)	100 to 127 VAC (200 to 240 VAC)	
		Frequency	47 to 63 Hz	
		Current	8.5 A at 120 VAC (4.3 A at 240 VAC)	
		Power	1000 W	
		Maximum peak power	1167 W	
		Rated output	Voltage/current	5.01 V - 0.5 A ~ 34 A
				3.33 V - 0.5 A ~ 36 A
				12.1 V - 0.5 A ~ 38 A
				5 Vaux - 0.2 A ~ 8 A
		Temperature ¹	Power RMS	600 W
Maximum peak power	700 W for 2 minutes			
Operating	50° to 55° F (10° to 35° C)			
Relative humidity ¹ (noncondensing)	Non-operating, shipping	-40° to 85° F (-40° to 60° C)		
		Operating	10% to 90%	
Dielectric voltage withstand	Non-operating	10% to 95%		
		Input to output	2000 VAC minimum	
	Input to ground	1500 VAC minimum		

NOTE 1: Operating temperature has an altitude derating of 34° F (1° C) per 1,000 ft (304.8 m). No direct sunlight. Storage maximum humidity of 95% is based on a maximum temperature of 112° F (45° C). Minimum pressure for storage is 70 KPa.

C-GbE Interconnect Switch	General	Two 24-port Managed Layer 2 Ethernet switches for network cable reduction; fully pre-configured for immediate operation
	Performance	4.0 Gbps Switching bandwidth
		12 million pps aggregate throughput (64-byte packets)
		Full-wire speed for all connections
	Forwarding mode	Store and forward
	MAC addresses	16,382; MAC address based filtering and MAC address packet priority configuring
Memory	64 MB Main	
	12 MB Flash	
	32 MB Packet Buffer	

Technical Specifications

Ports	<p>Four RJ-45 10/100/1000 T/TX/T Gigabit Ethernet uplink ports for customer use</p> <p>Forty 10/100 T/TX fast Ethernet downlink ports dedicated to blade PC to interconnect switch network connections</p> <p>Two 10/100 T/TX Fast Ethernet ports dedicated to inter-switch module communications</p> <p>One RS-232 DB-9 port (console connector for Integrated Administrator)</p> <p>One 10/100 T/TX Fast Ethernet port (Network management connector for Integrated Administrator)</p>
Management	<p>Auto-negotiation and auto-sensing with full-duplex</p> <p>Web-based interface with graphical user interface</p> <p>Console menu driven Interface via local RS-232 and Telnet</p> <p>Scriptable command line interface (CLI)</p> <p>SNMP v1 (RFC 1157) with scripting tool and example scripts</p> <p>RMON v1 (RFC 1757) groups 1, 2, 3, and 9</p> <p>Telnet (RFC 854)</p> <p>MIB-II (RFC 1213), Bridge MIB (RFC 1493), Interface MIB (RFC 2233), 801.1Q MIB (RFC 2684), RMON1 MIB (RFC 1757) groups 1, 2, 3, and 9, Ethernet MIB (RFC1643) and HP-specific switch MIBs</p> <p>XML human read/write configuration file</p> <p>TFTP client (RFC 783) for backup and remote download of configuration and history log files</p> <p>IGMP (Internet Group Management Protocol) multicasting</p> <p>Uplink port speed and link activity LEDs</p> <p>Simple network time protocol (SNTP)</p> <p>Broadcast, multicast, and DA-unknown packet storm control</p> <p>BootP and DHCP client support</p> <p>Port mirroring</p> <p>HP Interconnect Switch Management System and Utilities</p>
High availability	<p>Dual network communication paths using redundant, non-blocking layer 2 switch modules with redundant inter-module communication links</p> <p>Two redundant uplink ports per each interconnect switch module</p> <p>Spanning tree protocol for loop-free path redundancy</p>
Security	<p>Multilevel user names and passwords with configurable time out period setting, IP address restriction</p>
IEEE standards compliance	<p>IEEE 802.3 10Base-T Ethernet</p> <p>IEEE 802.3u 100Base-TX Ethernet</p> <p>IEEE 802.3ab 1000Base-T Ethernet</p> <p>IEEE 802.1D Spanning Tree Protocol</p> <p>IEEE 802.1p Quality of Service (QoS) Packet Prioritization</p> <p>IEEE 802.3x Flow Control</p>
Form factor	<p>Removable interconnect tray that plugs into the rear of the server blade enclosure</p>

Technical Specifications

Network transfer rate	10Base-T (half-duplex)	10 Mb/s
	10Base-T (full-duplex)	20 Mb/s
	100Base-TX (half-duplex)	100 Mb/s
	100Base-TX (full-duplex)	200 Mb/s
	1000Base-T (full-duplex, uplink ports only)	2000 Mb/s
Cable support	10Base-T	Categories 3, 5, or 6 UTP; up to 328 ft (100 m)
	100Base-TX	Category 5 or 6 UTP; up to 328 ft (100 m)
	1000Base-T (uplink ports only)	Category 5 or 6 UTP; up to 328 ft (100 m)

© Copyright 2005 Hewlett-Packard Development Company, L.P.

The information contained herein is subject to change without notice.

Microsoft and Windows NT are US registered trademarks of Microsoft Corporation.

The only warranties for HP products and services are set forth in the express warranty statements accompanying such products and services. Nothing herein should be construed as constituting an additional warranty. HP shall not be liable for technical or editorial errors or omissions contained herein.